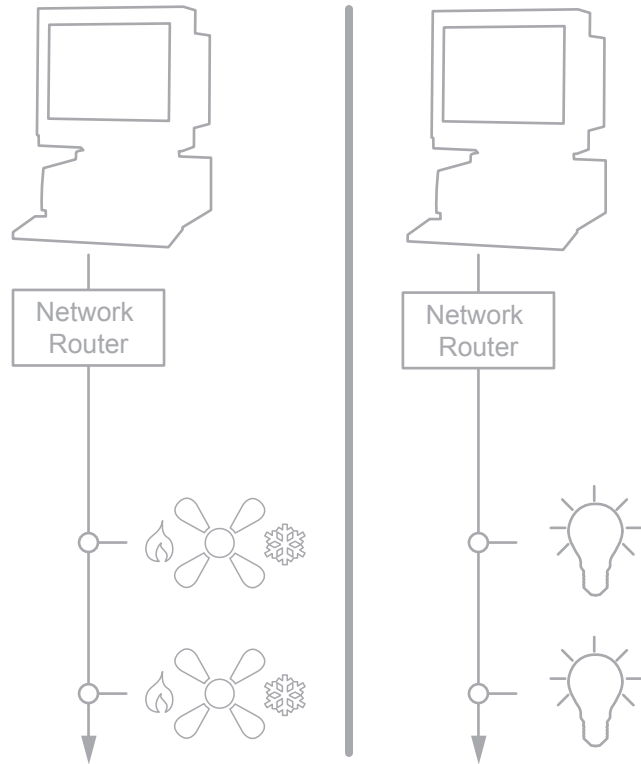


UNIFIED

Stand-Alone

Separate Networks
Separate User Interface
No Integration

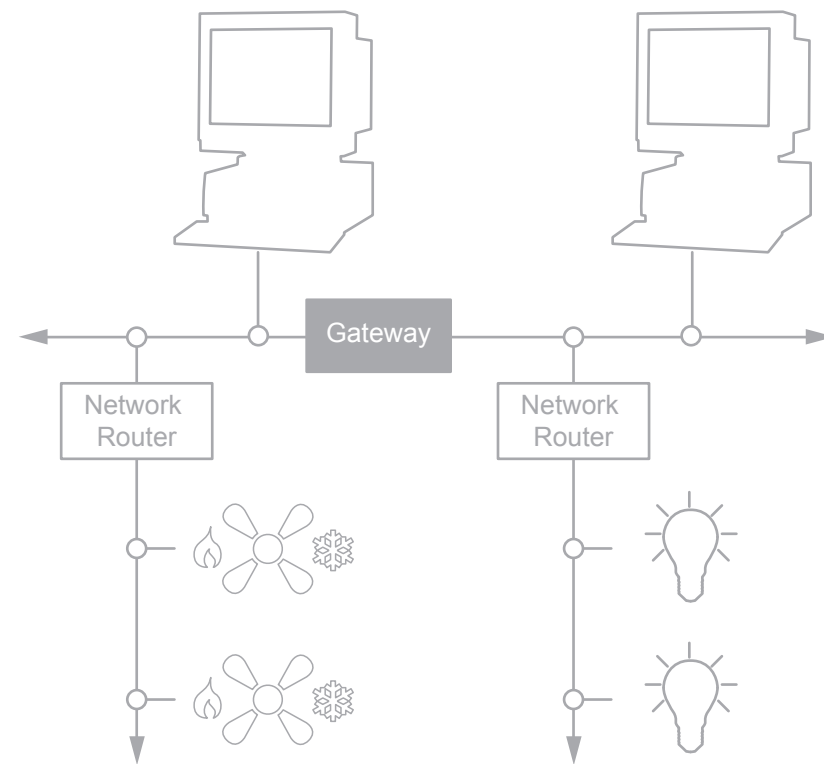
Energy Savings
Cost



Gateway

Separate Networks
Separate User Interface
Limited Integration

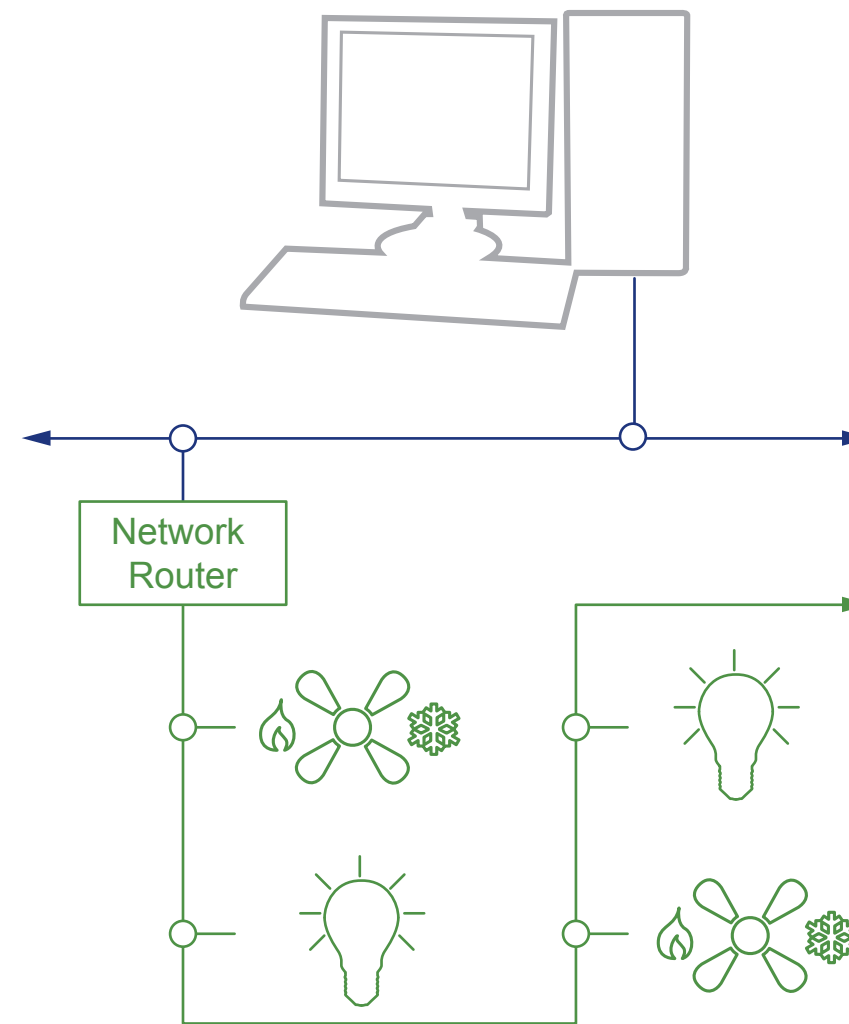
Energy Savings
Cost



Unified

One Network
One User Interface
Wide Open Integration

Energy Savings
Cost



Conclusion

Unified Lighting Control facilitates more energy savings while eliminating the complexities as well as limitations inherent in stand-alone and gateway systems. Compared to these alternatives Unified Lighting Control is a superior solution.

Explore the Difference